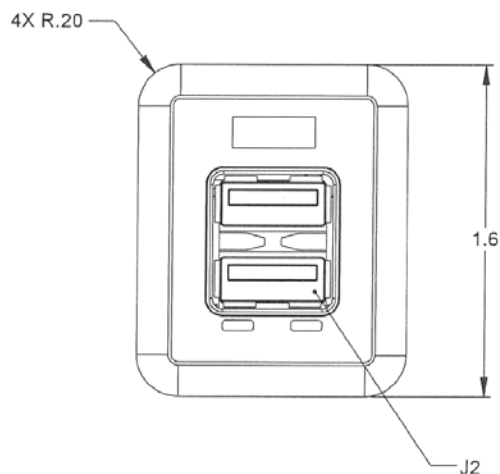




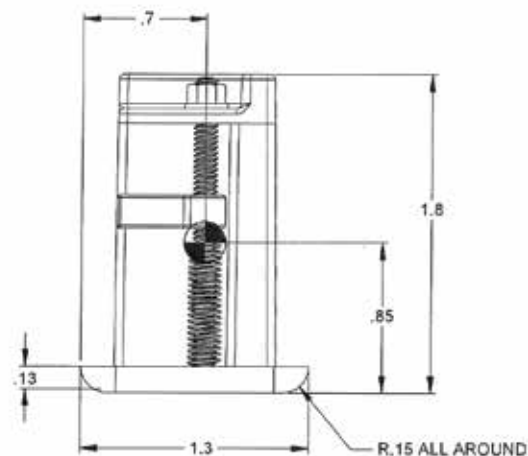
Passenger Interface Port



**Passenger Interface Port - Dual USB**

The Passenger Interface Port provides two standard USB type A sockets for passengers to plug into their smartphone cables. One provides a full USB connection to the THER system, including standard USB power and full delivery of data, on-demand audio and video.

The second USB socket provides a high-current source for rapid battery charging or provides additional power for certain power-hungry tablets.



Dimensional Drawing

- \* Single connection to APE or BOB
- \* Dual USB type "A" sockets for passenger connection
- \* Power: provides 5VDC, up to 1.5A max to passenger devices (supplied by APE)

