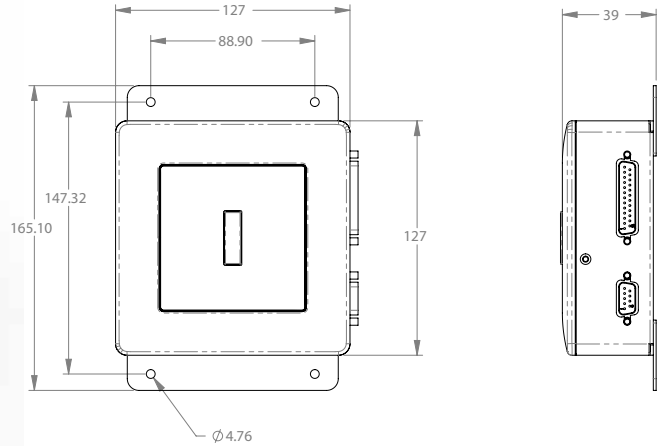




Aircraft Interface Module



Dimensional Drawing

**Product Description**

The Aircraft Interface Module (AIM) provides a single point of connection between aircraft keylines, ARINC-429 data busses and/or GPS data sources. The AIM provides the THER system with all the information it needs to generate moving maps, and interfaces with aircraft passenger service systems for reading light and attendant call functionality.

The AIM receives power and data connections to the THER system through a single six-wire connection to the APE.

**Specifications**

Power: 5VDC, 2A max (supplied by APE)  
 Weight: 1.08 lbs.  
 Dimensions: 165.1mm x 127mm x 39mm

**Features**

- Lowest weight
- Lowest cost
- Lowest power
- High reliability
- Interfaces 429 or GPS

**Advantages**

- Adds best-selling moving map
- Optional city views
- Multiple languages
- Customizable labels
- Interactive map support

**Interfaces**

- Single connection to APE
- 3x ARINC-429 high speed or low speed receive
- 1x ARINC-429 transmit
- Aircraft Discrete Interface (PA, Decompress, WoW)
- GPS Input
- (Optional) VGA output
- (Optional) CVBS output (NTSC or PAL)

**Options**

- High-resolution city views
- Languages
- Custom map labels