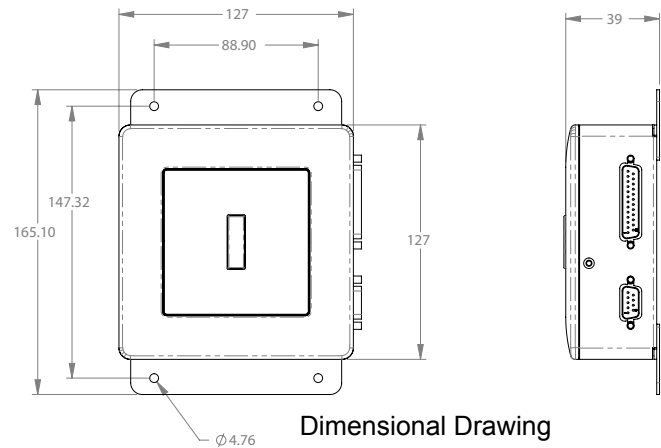




Aircraft Control Module



Dimensional Drawing

### Product Description

The Aircraft Control Module (ACM) enables the THER system to fully control business jet cabin systems. With a multitude of digital, analog and intelligent inputs and outputs, the ACM seamlessly integrates lights, shades, temperature control, entertainment control and more into one system.

The THER system supports multiple ACMs, enabling scalability to even the most complex and full-featured aircraft.

### Features

Light weight  
 Low cost  
 Low power  
 High reliability  
 Flexible hardware and software  
 Easily customizable

### Interfaces

- \* Single connection to APE
- \* 8x low power SPST relay output (2A contacts)
- \* 4x digital logic inputs
- \* 2x analog outputs - 0VDC to 5-20V (adjustable)
- \* 1x analog input - 0-20VDC

### Specifications

Power: 28VDC (for digital and analog output drive)  
 Power: 5VDC, 1A max (for internal logic and inputs, supplied by APE)  
 Weight: 1.08 lbs.  
 Dimensions: 165.10mm x 127mm x 39mm

### Advantages

Offers power, media and Internet  
 Redundant architecture  
 Adds features through additional modules:  
 - *Aircraft Interface Module*  
 - *Wireless Access Point*